

GUARDIANA™

From SureCall

(855) 888-8888
777-7777

SureCall's GuardianA Public Safety Band signal booster enhances in-building coverage for crucial communications, delivering consistent

coverage for all public safety bands, including 700 MHz, 800 MHz, 900 MHz, and 1900 MHz.

It's the only signal booster that works with all public safety bands, including 700 MHz, 800 MHz, 900 MHz, and 1900 MHz.

It's the only signal booster that works with all public safety bands, including 700 MHz, 800 MHz, 900 MHz, and 1900 MHz.

It's the only signal booster that works with all public safety bands, including 700 MHz, 800 MHz, 900 MHz, and 1900 MHz.

How to Buy

- » Buy online at [surecall.com](#)
- » Buy at a local retailer
- » Buy at a SureCall distributor
- » Buy at a SureCall authorized dealer
- » Buy at a SureCall authorized reseller
- » Buy at a SureCall authorized wholesaler
- » Buy at a SureCall authorized retailer
- » Buy at a SureCall authorized distributor
- » Buy at a SureCall authorized dealer
- » Buy at a SureCall authorized reseller
- » Buy at a SureCall authorized wholesaler
- » Buy at a SureCall authorized retailer
- » Buy at a SureCall authorized distributor
- » Buy at a SureCall authorized dealer
- » Buy at a SureCall authorized reseller
- » Buy at a SureCall authorized wholesaler
- » Buy at a SureCall authorized retailer



SPECIFICATIONS

Electrical			700 MHz	800 MHz
		Unit of Measure		
Frequency Range, Uplink		MHz	799 – 805	806 – 816
Frequency Range, Downlink		MHz	769 – 775	851 – 861
Channel Bandwidth		MHz	12.5 / 25 / 75 (LTE, US)	12.5 / 25 / 75
Number of Channels			32	32
Total Output Power, Uplink		dBm	27	27
Total Output Power, Downlink		dBm	33	33
Maximum System Gain		dB	90	90
Gain Adjustment Range (1 dB step)		dB	0-50	0-50
Pass Band Ripple, p-p		dB	≤5	≤5
Uplink Noise Figure		dB	≤5	≤5
System Group Delay		usec	≤35	≤35
Intermodulation		dBm	≤-13	≤-13
Spurious	9 kHz to 1 GHz	dBm	FCC Compliance	FCC Compliance
	1 GHz to 12.75 GHz	dBm	FCC Compliance	FCC Compliance
Absolute Maximum RF Input Power		dBm	-10	-10
Impedance		Ohm	50 Ω	50 Ω

Mechanical			
Dimensions (H x W x D; Booster only)		In (mm)	21.2 x 17.2 x 8.0 in (550 x 436 x 203 mm)
Weight (Booster only)		lbs (kg)	45.9 lbs (20.8 kg)
Weight (Box as shipped)		lbs	53 lbs
Power Supply		AC	100 – 240 / 50 – 60 Hz
		DC	24 – 30 V
Power Consumption	Single band	W	60
	Dual band	W	80
Enclosure Cooling			Convection
RF Connectors			N-Female
Operating Temperature		°F(°C)	-27 to +140 (-33 to +60)
Operating Humidity			95%

Certifications	
FCC	ID: RSNPSBG-2A
	FCC Part 90
	UL 60905-1
	UL2524 est certification July 2021
Environmental Class	NEMA4

INCLUDED COMPONENTS:

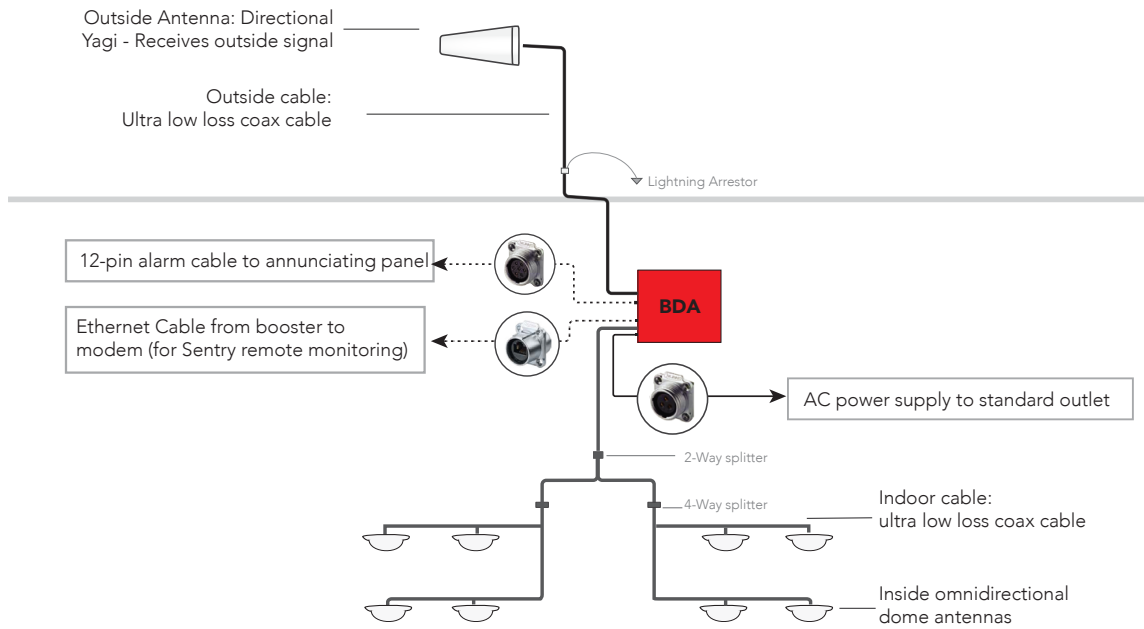
- » GuardianA bi-directional amplifier with NEMA-4 rated housing and mounting kit
- » Alarm cable and connector – (5 ft, USB)
- » AC power cable (4 ft)
- » DC power cable (4 ft 9 in with connector)

ADDITIONAL REQUIRED COMPONENTS:

Note: Some component options are listed in table below. Not all accessories are listed.

- » One External antenna ^a (directional Yagi)
- » Multiple Inside antennas ^b (omnidirectional domes and/or directional panels)
- » Cable splitter for inside antennas ^c
- » Sufficient ultra-low loss interior/exterior cable, 50 ohm ^d
- » Lightning surge arrestor
- » Grounded surge suppressor for DC power supply
- » Ethernet cable

EXAMPLE BUILDING COMPONENT LAYOUT



^a Outdoor Antenna Options

Directional Wide Band 50 Ω Yagi Antenna (698-960 & 1710-2700 MHz)	N-Female connectors	10 to 11 dBi
---	---------------------	--------------

^b Inside Antenna Options

Omni Wide Band Dome 50 Ω Antenna (698 -2700 MHz)	N-Female connectors	3 to 4 dBi
Directional Wide Band Panel 50 Ω Antenna (698-2700 MHz)	N-Female connectors	7 to 10 dBi

^c Splitters and Couplers

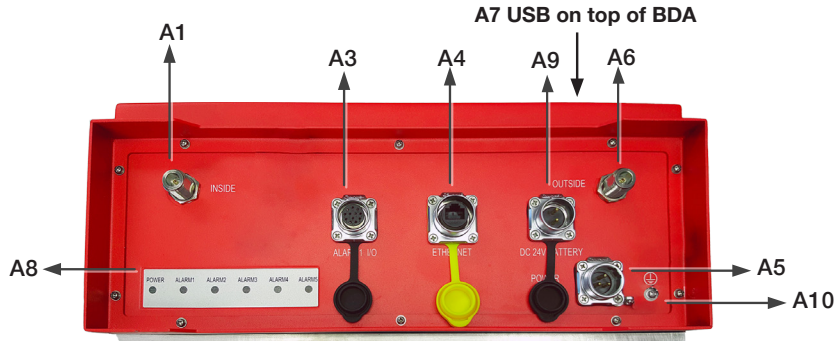
Wide Band Couplers (698-2700 MHz)
Wide Band Splitters (698-2700 MHz)

^d Ultra Low-Loss Coaxial Cable

SC-400 Low-Loss Coax
SC-600 Ultra Low-Loss Coax
SC-400 Ultra Low-Loss Coax Plenum Fire-Rated Coax UL-rated for plenum ceilings (UL E473791)

See your SureCall sales person for compatible part numbers

GUARDIAN A BDA INTERFACE



Interface	Type	Description
A1	INSIDE	N Female for INSIDE cable and antenna
A2	---	
A3	ALARM2 I/O	To Fire Department Control Box
A4	ETHERNET	Cat5e Standard Ethernet Cable Device
A5	POWER 110 VAC	Connect to 110VAC or 110V of UPS output
A6	OUTSIDE	N Female for OUTSIDE cable and antenna
A7	USB	Used to initialize the network connection devices
A8	Alarm LEDs	Indicate an alarm condition
A9	POWER DC 24-30 V	Connect DC, voltage between 24-30 V
A10	GROUNDING LUG	Grounding lug

GUARDIAN CLASS A

Part: SC-GuardianA

UPC: 8 54328 00885 5

FCC ID: RSNPSBG-2A



Part 90 Signal Boosters

THIS IS A 90.219 CLASS A DEVICE

WARNING: This is **NOT** a **CONSUMER** device. It is designed for installation by **FCC LICENSEES** and **QUALIFIED INSTALLERS**. You **MUST** have an **FCC LICENSE** or the express consent of an FCC Licensee to operate this device.

Unauthorized use may result in significant forfeiture penalties, including penalties in excess of \$100,000 for each continuing violation.

NOTE: This equipment has been tested and found to comply with the limits for a Class A digital device, pursuant to part 15 of the FCC Rules. These limits are designed to provide reasonable protection against harmful interference when the equipment is operated in a commercial environment. This equipment generates, uses, and can radiate radio frequency energy and, if not installed and used in accordance with the instruction manual, may cause harmful interference to radio communications. Operation of this equipment in a residential area is likely to cause harmful interference in which case the user will be required to correct the interference at his own expense.